



US00D794400S

(12) **United States Design Patent**
Young

(10) **Patent No.:** **US D794,400 S**

(45) **Date of Patent:** **** Aug. 15, 2017**

(54) **COMPAC EATING UTENSILS WITH STORAGE**
(71) Applicant: **Kenneth D. Young**, Arbutle, CA (US)
(72) Inventor: **Kenneth D. Young**, Arbutle, CA (US)
(**) Term: **15 Years**
(21) Appl. No.: **29/556,135**

5,845,403 A * 12/1998 Nivin A47G 21/06
30/147
6,105,259 A * 8/2000 Meyers A47G 21/02
30/150
D509,708 S * 9/2005 Schmidt D7/645
D530,986 S * 10/2006 Lago-Arenas D7/645
D536,222 S * 2/2007 Heiberg D7/645
D625,153 S * 10/2010 Gallop D7/642
D722,837 S * 2/2015 Miksovsky D7/643
D747,159 S * 1/2016 Frost D7/643
2005/0278958 A1 * 12/2005 Schmidt A47G 21/06
30/324

(22) Filed: **Feb. 26, 2016**
(51) **LOC (10) Cl.** **07-03**
(52) **U.S. Cl.**
USPC **D7/643; D7/644; D7/653**
(58) **Field of Classification Search**
USPC D7/368, 401.2, 642-645, 653-664, 669,
D7/675-677, 683, 688-689, 691;
D8/107, 300-301; D22/117-118
CPC ... A01D 9/02; A01D 9/04; A01D 9/06; A47G
21/00; A47G 21/004; A47G 21/005;
A47G 21/02; A47G 21/023; A47G 21/04;
A47G 21/06; A47G 21/08; A47J 43/28;
A47J 43/281; A47J 43/282; A61F 13/10;
A61J 7/0023; B25G 1/00; B25G 1/01;
B25G 1/02; B25G 3/00; B65D 75/56;
B65D 75/563; B65D 75/566; B67B 7/00;
B67B 7/724; B67B 7/73
See application file for complete search history.

* cited by examiner

Primary Examiner — Ricky Pham

(74) *Attorney, Agent, or Firm* — Law Office of Dorian Cartwright; Dorian Cartwright

(57) **CLAIM**

The ornamental design for compact eating utensils with storage, as shown and described.

DESCRIPTION

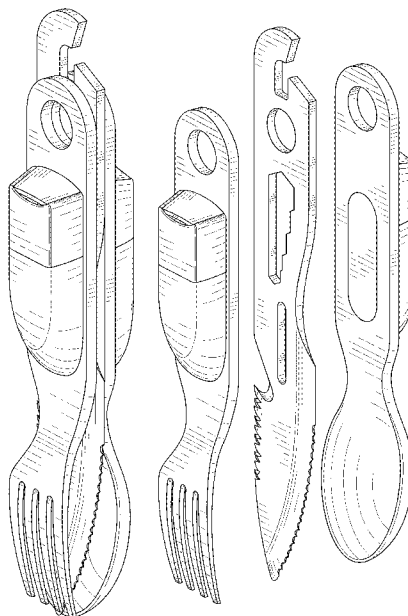
FIG. 1 is a perspective view of compact eating utensils with storage.
FIG. 2 is a front view of compact eating utensils with storage.
FIG. 3 is a rear view of compact eating utensils with storage.
FIG. 4 is a first side view of compact eating utensils with storage.
FIG. 5 is a second side view of compact eating utensils with storage.
FIG. 6 is a top view of compact eating utensils with storage.
FIG. 7 is a bottom view of compact eating utensils with storage; and,
FIG. 8 is an exploded view of compact eating utensils with storage.

(56) **References Cited**

U.S. PATENT DOCUMENTS

1,053,387 A * 2/1913 Hawley A47G 21/06
30/147
4,524,512 A * 6/1985 Formo A47G 21/06
30/147
D318,600 S * 7/1991 Lillelund D7/643
D347,975 S * 6/1994 Zeller D7/642

1 Claim, 5 Drawing Sheets



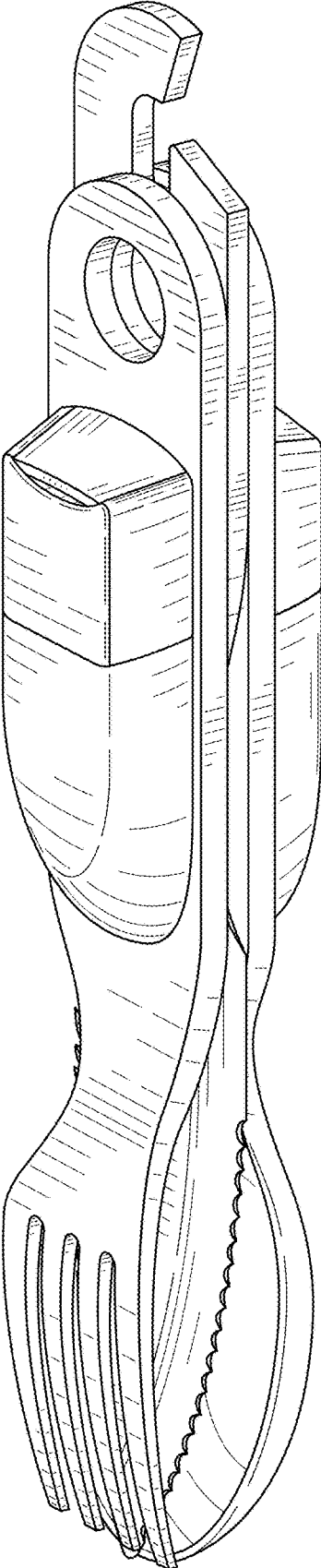


FIG. 1

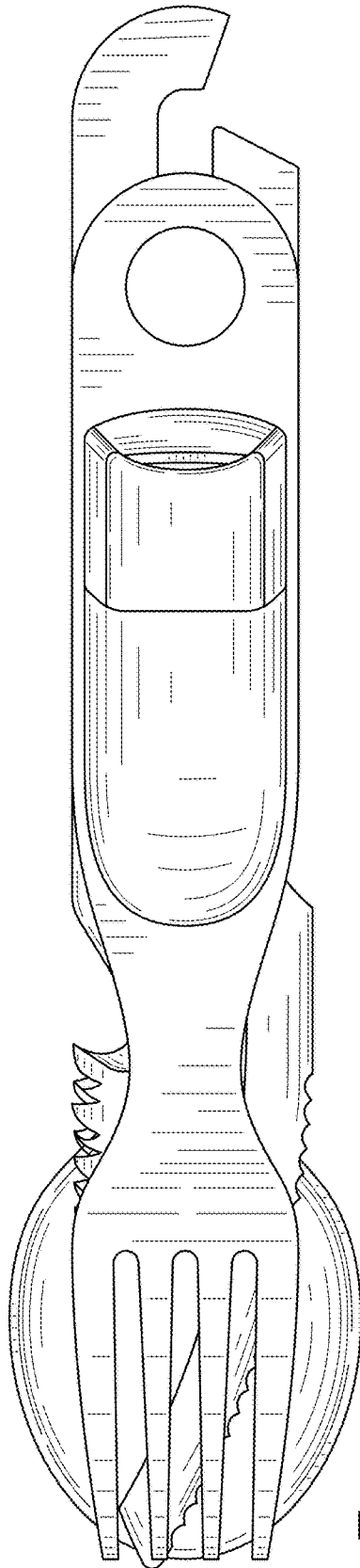


FIG. 2

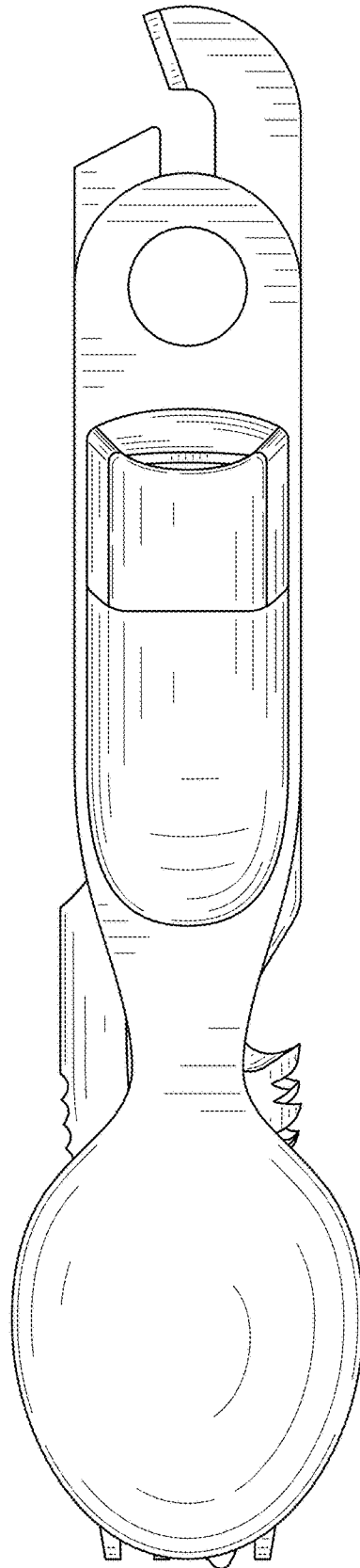


FIG. 3

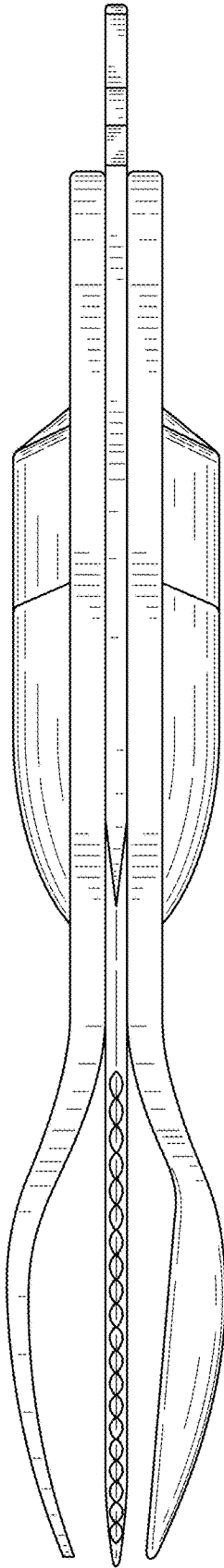


FIG. 4

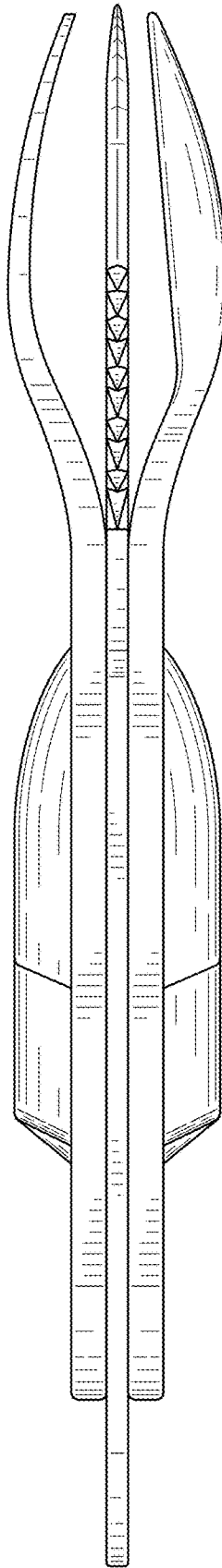


FIG. 5

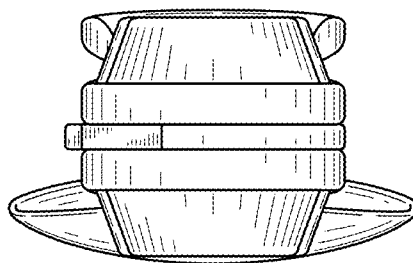


FIG. 6

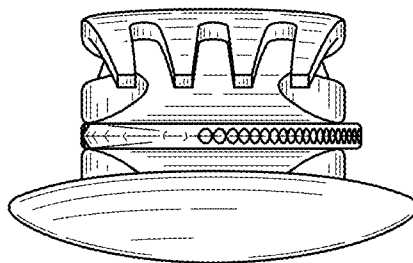


FIG. 7

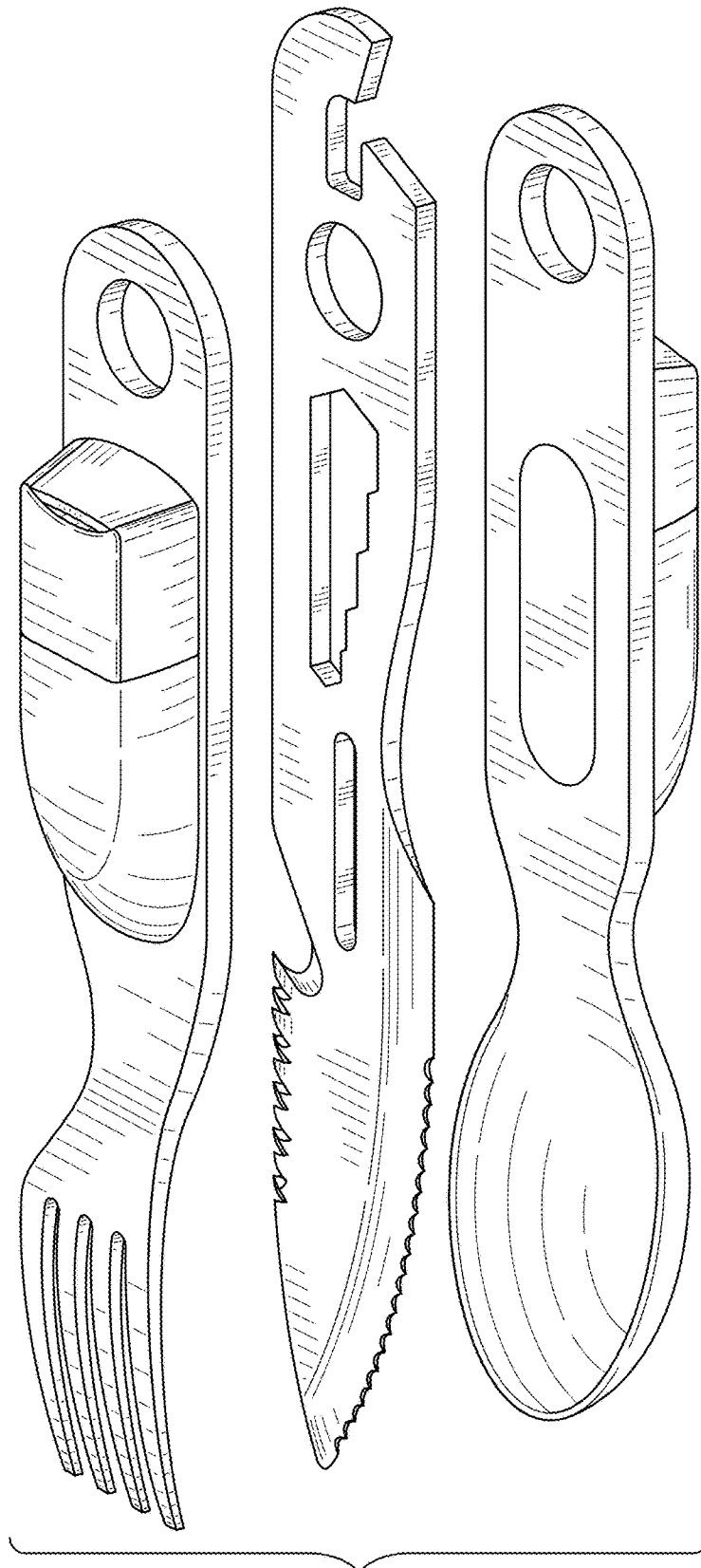


FIG. 8